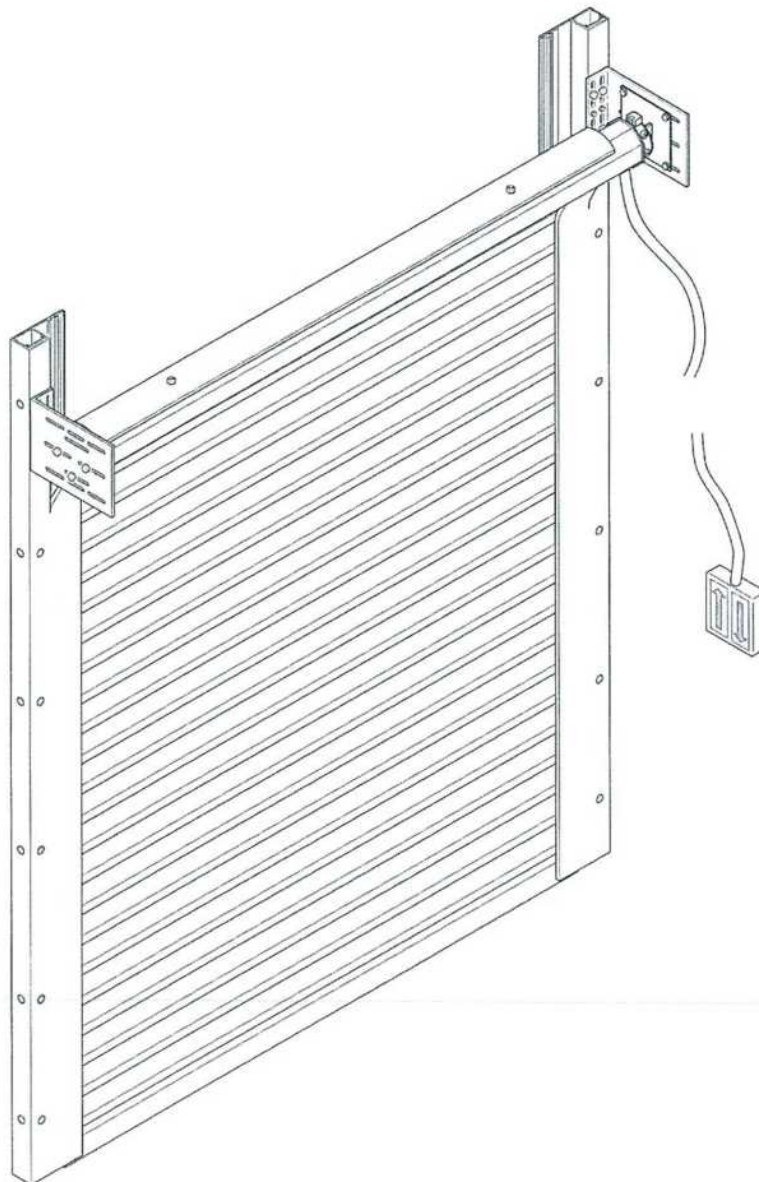


## Electrically powered Rullari installation instructions



**STAGE 1: Mounting guide rails**

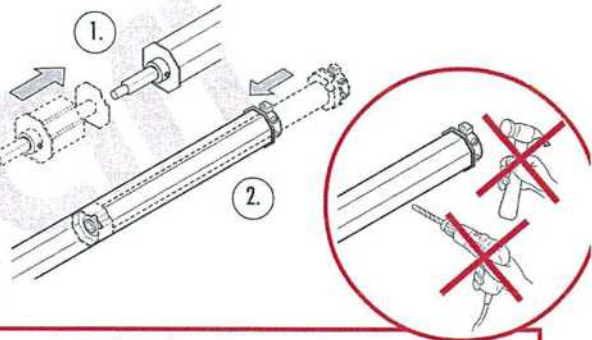
1. Drill holes where necessary into the guide rails. Note the installation method A = in the opening, B= on the wall surface
2. Make sure that the guide rail is straight
3. Fix the guide rail in place.
4. Check the distance between the guide rails according to the dimensions given in the order, taking the installation method (A or B) into account.
5. Attach the second guide rail, making sure that the guide rails are straight and parallel.

**A:**  
Opening mounting

**B:**  
Wall mounting

**STAGE 2: Assembling the axle**

1. Install the adjustment stopper at one end of the axle.
2. Install the motor on the other end of the axle. **NOTE!** Make sure that the rotating lowering ring at the front end of the motor (a rotating ring with a groove on the inner ring) is in the correct position. Push the motor such that the winding tube (axle) is completely over the rotating ring. **NOTE!** Do not strike the motor. Avoid dropping parts. When attaching the roller, be careful not to drill into the motor.



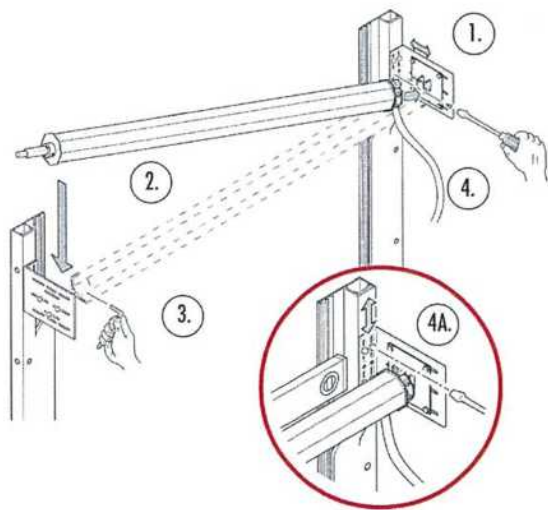
**STAGE 3: Installation of mounting brackets**

**ATTENTION!** If the mounting brackets are already on the rails, go to step 4. For casing installation, go to step 7.

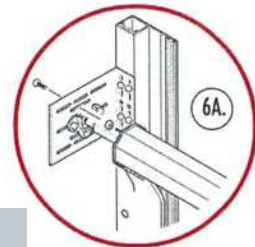
1. Attach the mounting brackets to the guide rails. **ATTENTION!** Battens!
2. Fixing the mounting bracket to the wall. Measurements on a case-by-case basis.
3. Fixing the mounting bracket to the ceiling. Measurement on a case-by-case basis.

a= \_\_\_\_\_  
b= \_\_\_\_\_  
d= \_\_\_\_\_

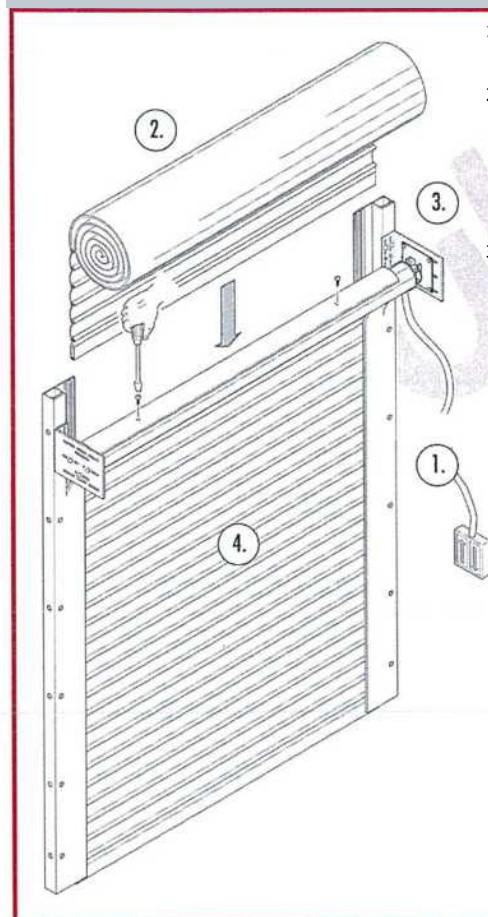
## STAGE 4 Install the axle and adjust



1. Adjust the distance between the bearing and the motor bracket and the guide rails so that the Rullari has room to roll up around the axle. The diameter of the roller  $d$  is shown in step 3.
2. Lift the axle into position so that the motor's limit adjustment screws protrude for upper and lower limit adjustment (step 6).
3. Using an Allen wrench, adjust the length of the axle to the appropriate length using the adjusting screw.
4. Make sure the axle is straight and make the necessary adjustments to the mounting brackets (see figure 4A). Lock the mounting brackets into position with a drill screw.
5. Attach the motor's electrical cable carefully e.g. with zip ties, so that it does not catch the rotating Rullari.
6. Lock the opposite ball bearing into position with a screw as shown in Figure 6A.



## STAGE 5A: Shutter installation (light shutter) and verification of operation



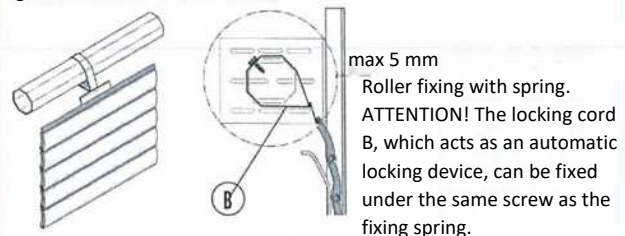
1. Using a temporary cable, lower the axle in the shutter's lowering direction to its lower limit and leave it there.
2. Lift the Rullari shutter over the axle into the guide rails and attach the Rullari to the axle, either directly from the top edge (see Figure 2A) or with the attachment springs (see Figure 2B), depending on the model. The Rullari blind is supplied rolled up on the bottom edge of the package.
3. Wind the roller up and adjust the upper limit according to the instructions. Adjust the limits in stage 6. 4. Make sure the Rullari works unimpeded. Note the clearance max 5 mm (see Figures 2A and B). Check and, if necessary, fine-tune the limits.

**ATTENTION! Use short fixing screws next to the motor!**

Figure 2A: models C 600 and CD 800

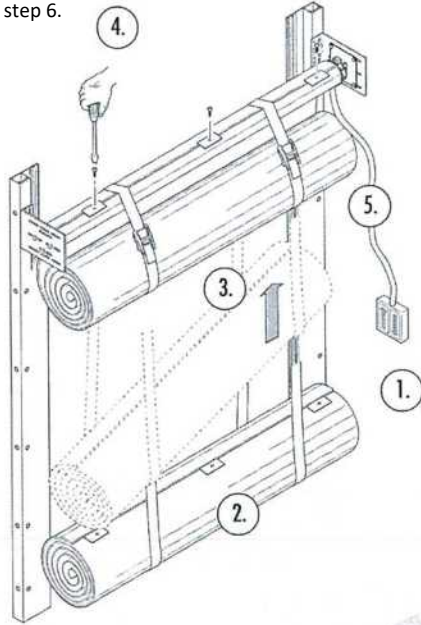


Figure 2B: Models CD 50, CD 150 and CD 200

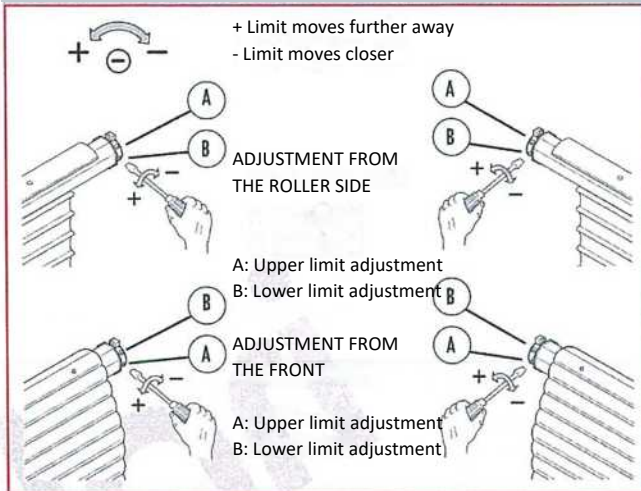


## STAGE 5B: Shutter installation (heavy shutter)

- Using a temporary cable, lower the axle in the shutter's lowering direction to its lower limit and leave it there. For high blinds, the lower limit should be adjusted before moving the Roller further away. Adjustment of the limit in step 6.
  - Lift the Rullari blind under the axle along the lifting lines
  - Using the lifting lines as a guide, lift the blind up to the axle.
  - Loosen the shutter slightly to secure the top edge to the axle with drill screws or staples. The shutter is rolled up around its top edge in the package.
- ATTENTION! Use short fixing screws next to the motor!**
- Wind the Rullari shutter up onto the axle using its own motor. Insert the bottom of the Rullari on the guide rails and wind it down with the motor. Go back to step 5A, point 3.

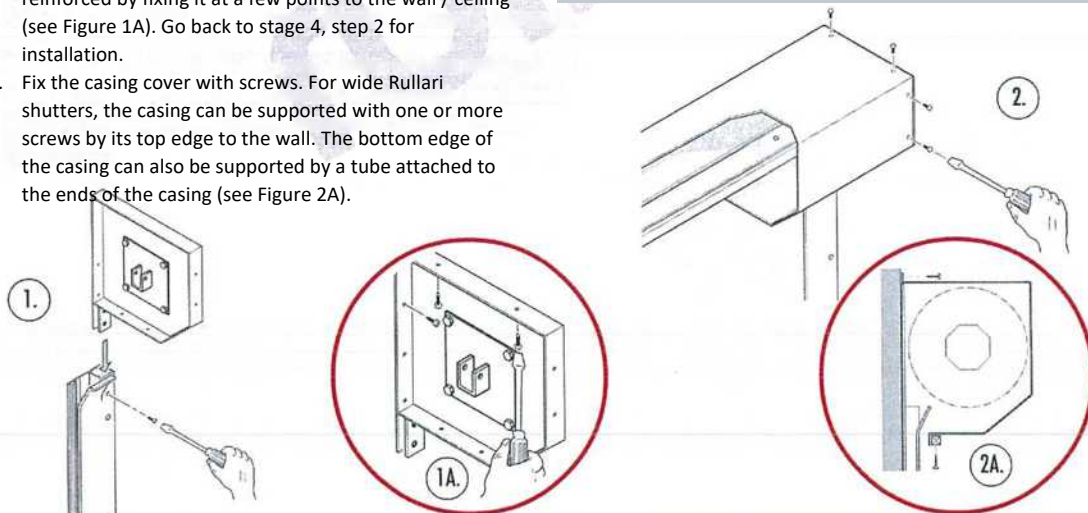


## STAGE 6: Adjusting the limits (Jolly motors)



- Attach the foot of the casing end piece to the guide rail with a drill screw. The end of the casing can be reinforced by fixing it at a few points to the wall / ceiling (see Figure 1A). Go back to stage 4, step 2 for installation.
- Fix the casing cover with screws. For wide Rullari shutters, the casing can be supported with one or more screws by its top edge to the wall. The bottom edge of the casing can also be supported by a tube attached to the ends of the casing (see Figure 2A).

## STAGE 7: Option with prefabricated casing



Kokema Oy  
PL 91  
32801 KOKEMÄKI

puh. (02) 540 0500  
fax. (02) 546 0588

rullari@kokema.fi  
www.kokema.fi