

rullari[®]

**ROLLER SHUTTER DOOR
CD 800 U**



CD 800 U

Alumiiniset Rullari roller shutter doors are designed and manufactured in Finland. The starting point for the design has been Scandinavian architecture. Kokema Oy has almost 40 years' experience in roller shutter door manufacturing. The lightweight and durable material creates a high-quality and stylish package, without forgetting the ease of use. The Rullari roller shutter doors are **CE** compliant (EN13241). Doors security and safety meet the requirements of burglary protection rating 3 (EN1627). Rullari roller shutter doors are suitable for both indoor and outdoor use. The doors are made to the customer's specifications and highly professional installation services are available all over Finland for flexible installation. Uses include shopping centers, commercial spaces, loading docks, Alko shops, pharmacies, jewellery shops, restaurants, kiosks, petrol stations, car parks, etc...

DOOR CURTAIN

The door curtain of the Rullari roller shutter door consists of a 64 mm wide extruded aluminium profile, the profile ends of which are locked together by means of screws. The CD 800 U is extremely strong structured and creates strong burglary protection. The maximum size of the roller shutter door is 7900 x 4500 mm. The weight of the door curtain is approx. 13 kg/ m².

GUIDE RAILS, FIXING ANGLES AND ROLLER BARREL

Aluminium guide rails are on the sides of the door (100 x 37 mm) and are also made of extruded aluminium. Guide rails are equipped with PVC slider belts. Gloss galvanized steel fixing angles are attached to the guide rails for the roller barrel. The roller barrel is made of galvanized or painted steel. There is a tubular motor and a centrifugal brake inside the roller barrel which complies with the EN13241 standard for door operations.

OPERATION

Rullari roller shutter doors are electrically operated and force controlled. The standard motor used in the doors is a single-phase tubular motor. Doors are controlled via pushbuttons or a lockable key switch. Manually operated small doors (under 1500 x 2100 mm) can also be manufactured.

LOCKING

The doors are equipped with automatic locks. Notice! The burglary protection category requires a separate mechanical lock. Alternatives include: • Padlock Lugs • Security lock case 2 pcs on guide rails + control relay • Security lock case 2 pcs on guide rails and centre lock on the lowest slat + control relay • Motor lock case 2 pcs on guide rails + control center

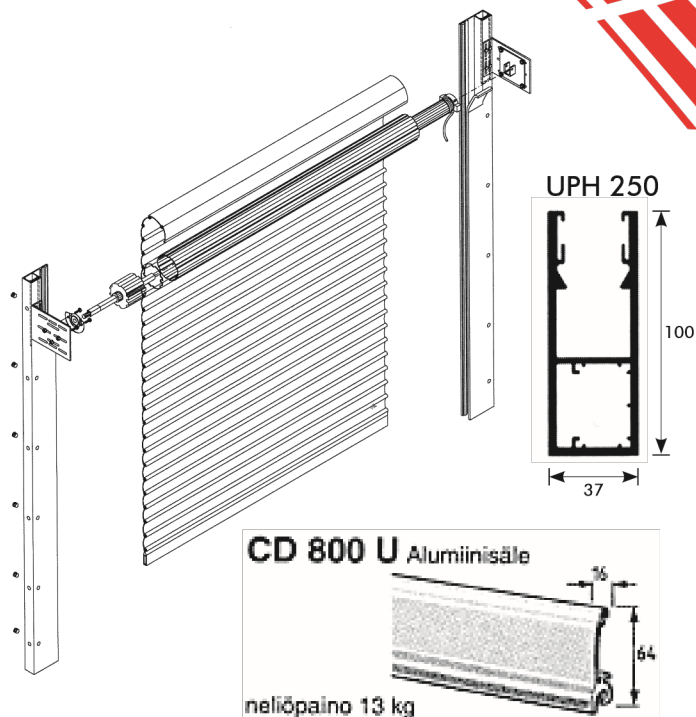
SURFACE TREATMENT

The roller shutter doors are delivered with standard natural color anodising. The doors can also be powder coated with RAL Classic colour tone or colour anodised.

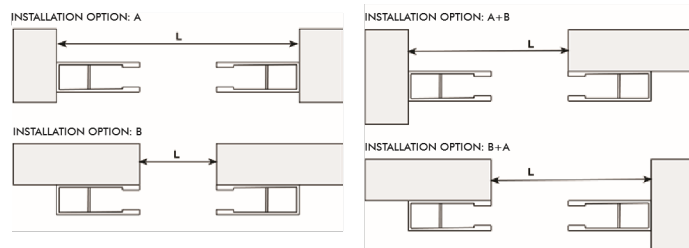
ADDITIONAL OPTIONS

- Impulse Control (control unit + safety contact strip + photo sensors) can be connected for access control
- Remote control (manual transmitter + receiver, requires impulse control)
- A clock unit (requires impulse control)
- Vehicle radar
- Emergency operation (manual opening of the motor in case of power failure) – Emergency exits!
- Angle gear motor (3-phase geared motor is mounted directly on the end of the roller barrel)
- Wind anchors
- Pural-coated metal casing (max. door size in casing: 3000 x 2100 mm)
- The aluminium protective case, powder coated RAL Classic tone

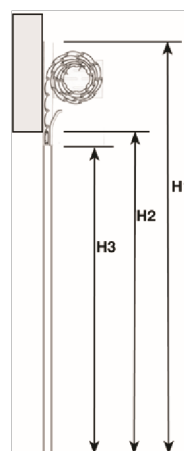
STRUCTURE



INSTALLATION OPTIONS



VERTICAL DIMENSIONING



Height of the opening (H2): The space required by the roll (H1-H2):

2000 mm	280 mm
2500 mm	310 mm
3000 mm	330 mm
3500 mm	360 mm
4000 mm	380 mm
4500 mm	430 mm

KOKEMA_{oy}

PL 91, Kakkulaistentie 5, 32801 Kokemäki
Tel. +358 10 326 3840
info@kokema.fi | www.kokema.fi